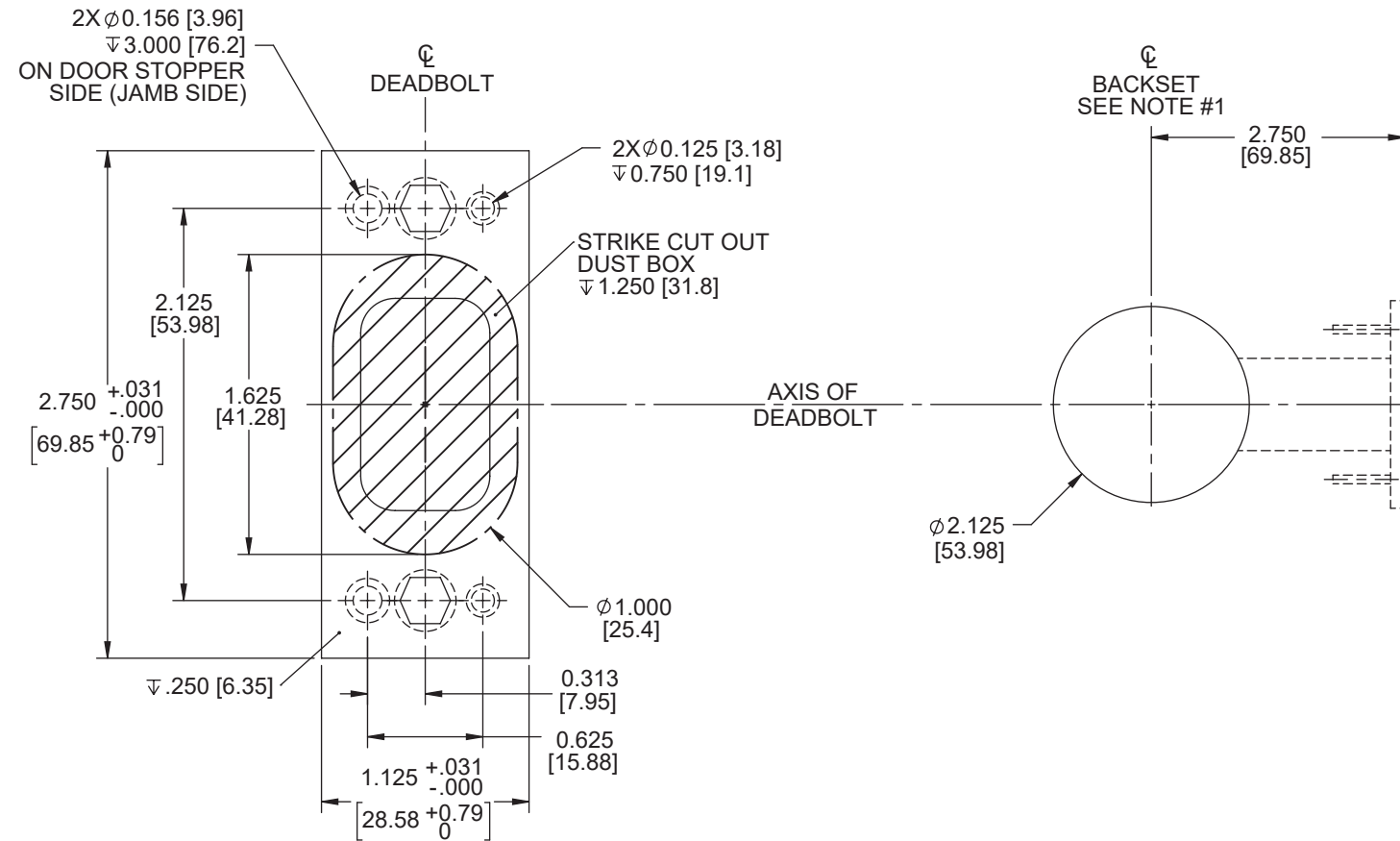


Saffire LX-D & Saffire EVO LZ-D

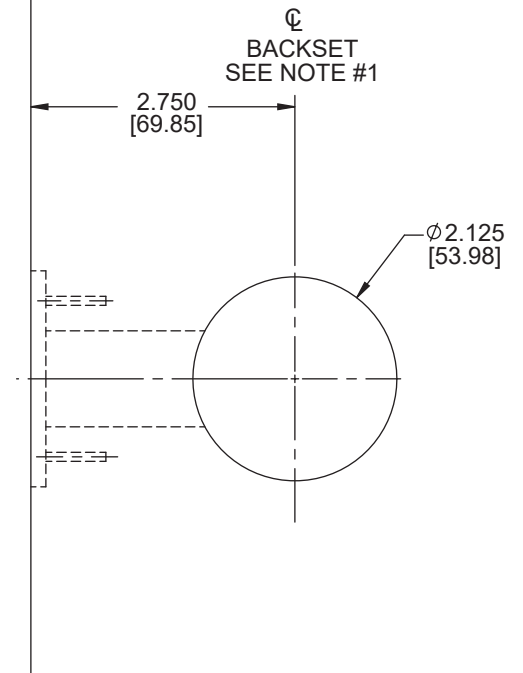
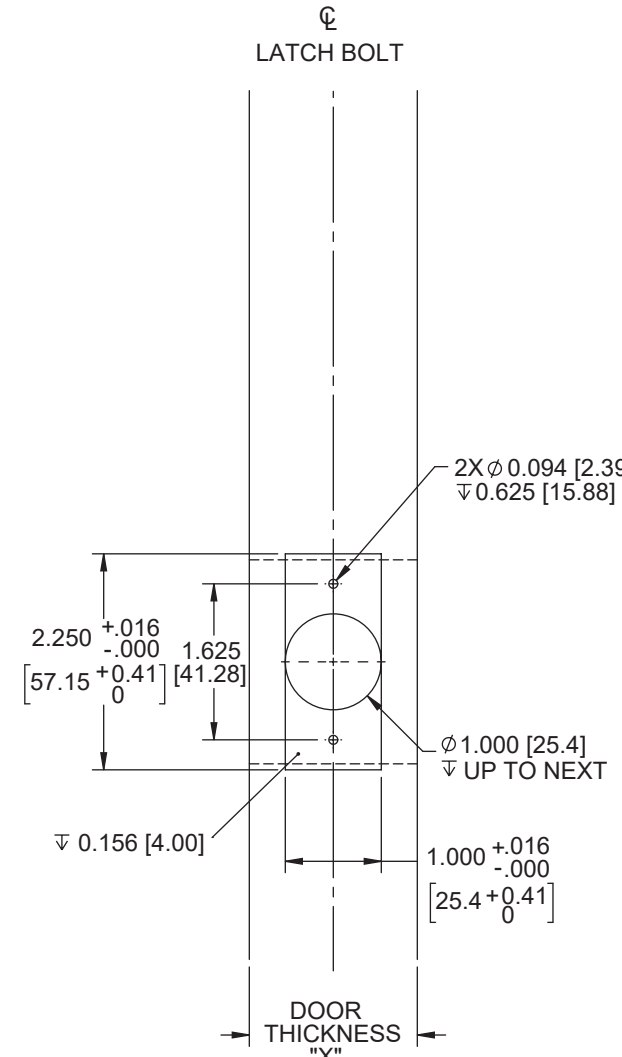
2-3/4" Backset door preparation

NOTES:

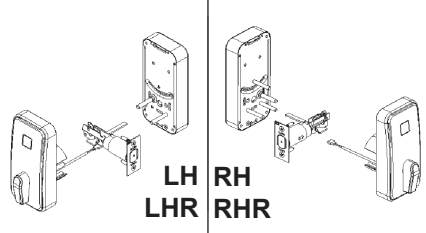
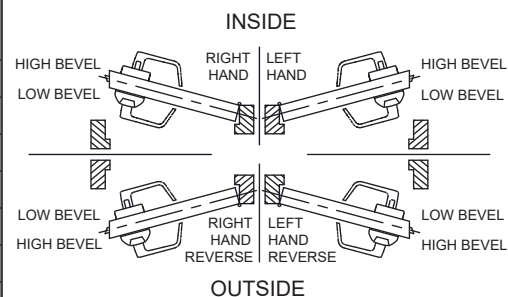
1. USE DIMENSIONS FROM TABLE BELOW TO ADJUST BACKSET POSITION ACCORDING TO LOW AND HIGH BEVEL DOOR EDGE.
2. DIMENSIONS ARE SYMETRICAL ABOUT \varnothing UNLESS OTHERWISE NOTED.
3. DRAWING IS NOT TO SCALE.
4. DIMENSIONS ARE IN INCHES [mm].



FOR WOOD FRAME ONLY



BACKSET ADJUSTMENT FOR 3° BEVEL DOOR		
DOOR THICKNESS DIMENSION X	DOOR THICKNESS DIMENSION Y	BACKSET ADJUSTMENT DIMENSION Y
1.25 [31.8]	1.25 [31.8]	0.032 [0.81]
1.50 [38.1]	1.50 [38.1]	0.039 [1.00]
1.75 [44.5]	1.75 [44.5]	0.046 [1.17]
2.00 [50.8]	2.00 [50.8]	0.052 [1.32]
2.25 [57.2]	2.25 [57.2]	0.059 [1.50]
2.50 [63.5]	2.50 [63.5]	0.065 [1.65]
2.75 [69.9]	2.75 [69.9]	0.072 [1.83]



DIMENSIONS = IMPERIAL/IMPÉRIAL (MILLIMETER / MILLIMÈTRE)
 3D FILE GOVERNS ALL UNSPECIFIED DIMENSIONS & GENERAL TOLERANCES APPLY / LES DIMENSIONS NON SPÉCIFIÉES SONT DÉFINIES PAR LE FICHIER 3D ET LES TOLÉRANCES GÉNÉRALES S'APPLIQUENT
GENERAL TOLERANCE, UNLESS OTHERWISE SPECIFIED
 TOLÉRANCES GÉNÉRALES, SAUF SI SPÉCIFIÉ AUTREMENT
 X ± 0.25 THREAD CLASS / FILET FINISH / FINI
 X.X ± 0.25 SAE: 2A-2B ISO: 6g / 6H
 X.XX ± 0.25
 HOLE / TROU ANGLE: ± 1°
 Ø: +.13/-0.05 CHAMFER / CHANFREIN: $\angle \pm 5^\circ$
AS PER / SELON : ASME Y14.5M-2009

WARNING

- To verify lock coverage and door operation meets expectations, dormakaba strongly recommends completing a full door mockup. This will ensure that all necessary products and parts for a successful installation are included.
- Always validate that you have selected the correct template for specific lock model being installed. The same lock model can be offered with different locking device options.
- Drawing is not to scale. Measurements are for reference only. Not a drilling template.
- If you have any questions, please contact your local sales representative or authorized reseller.